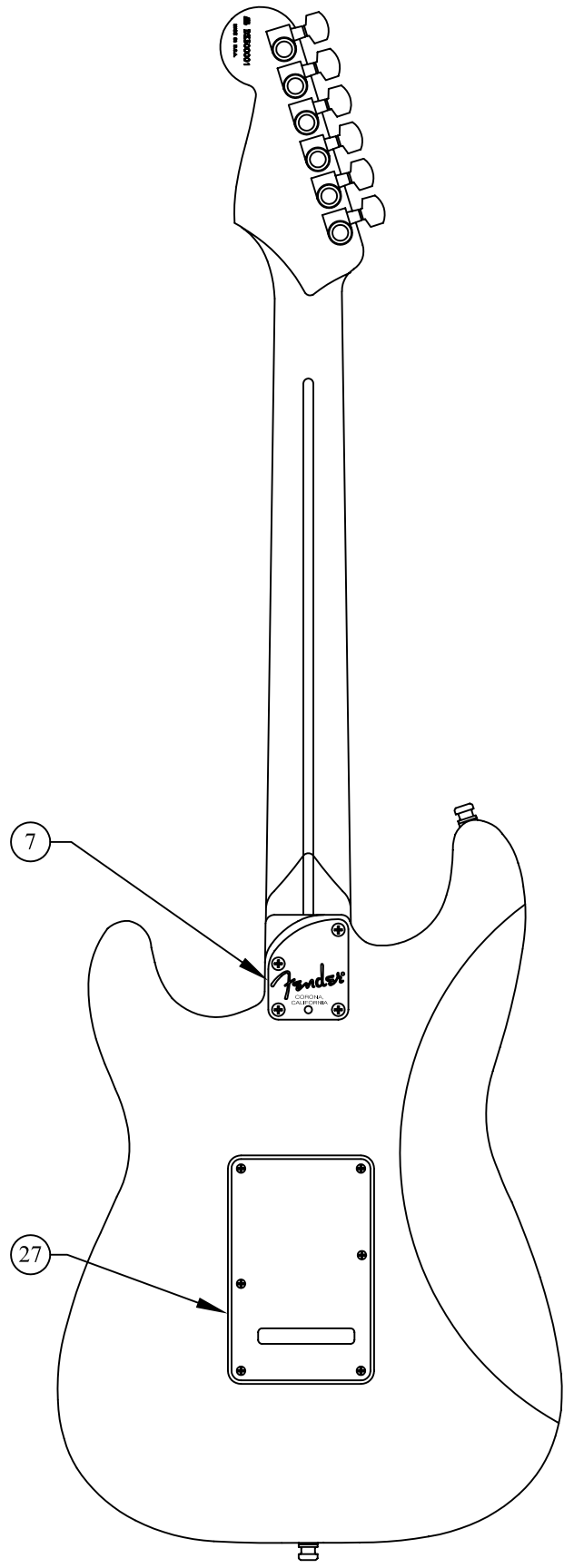
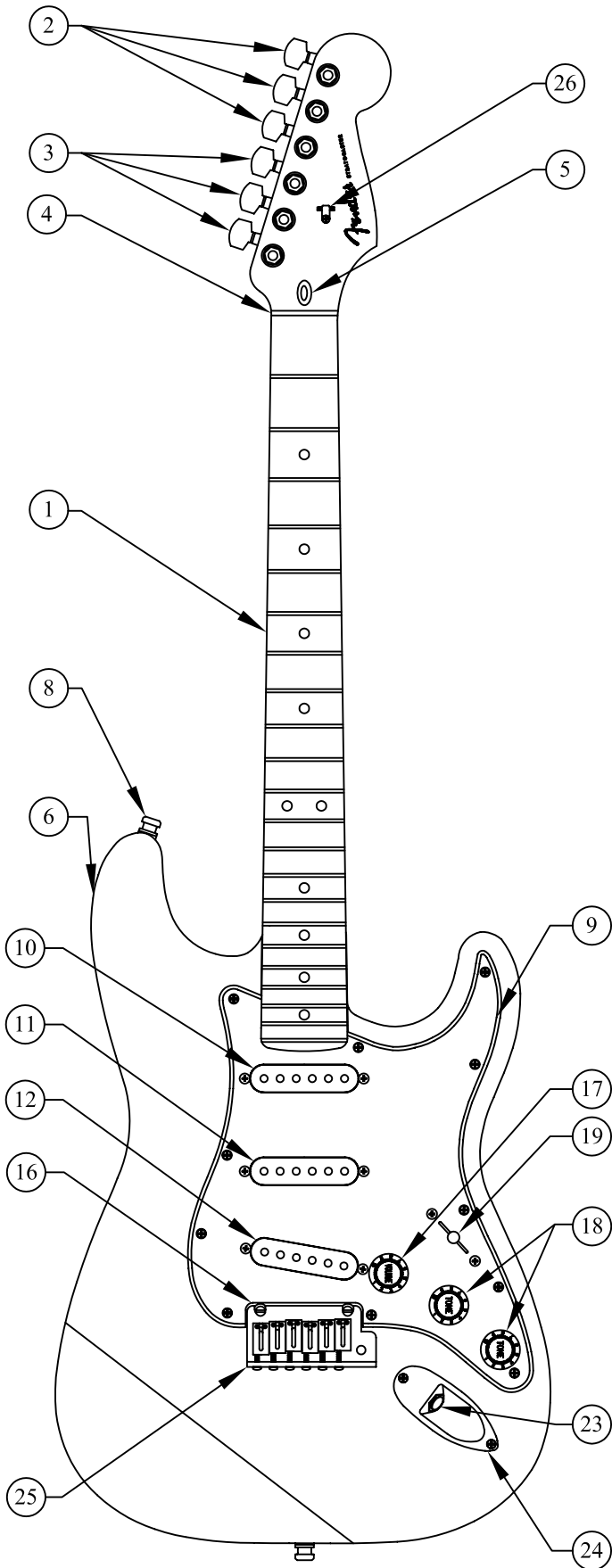


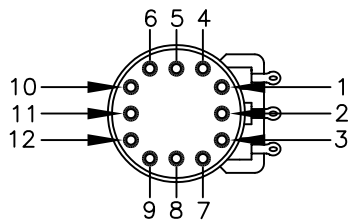
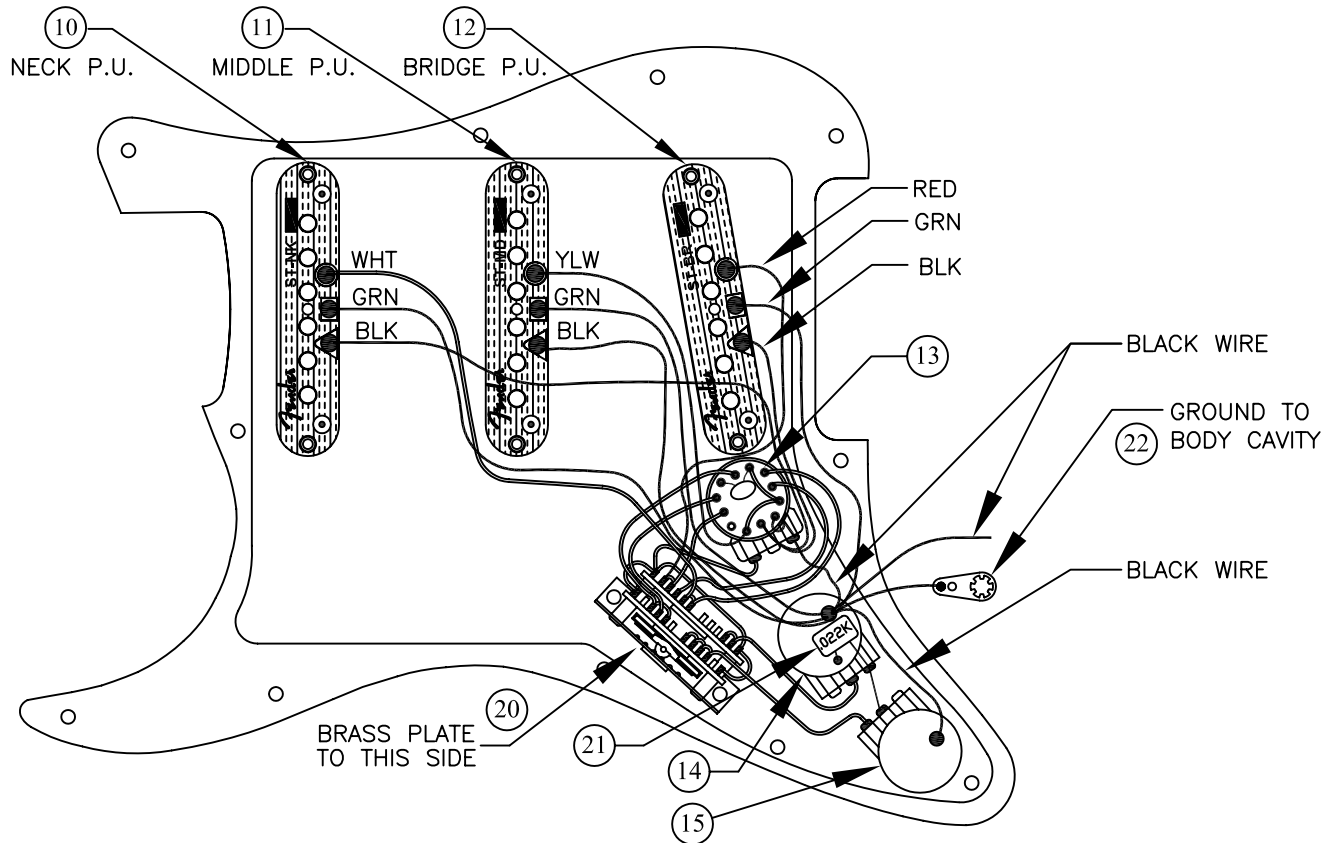
AMERICAN DELUXE STRATOCASTER® 0101200/1202, RW/MN



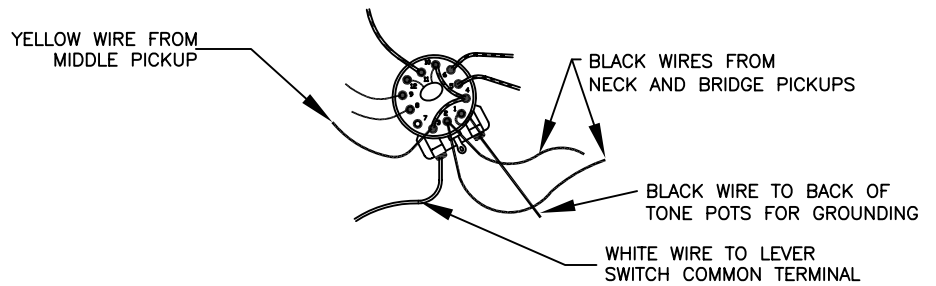
Fender

AMERICAN DELUXE STRATOCASTER® 0101200/1202, RW/MN

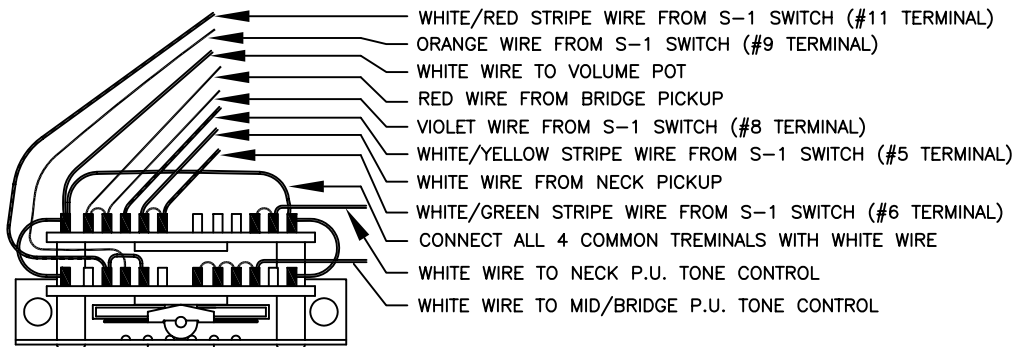
WIRING DIAGRAM



S-1 SWITCH TERMINAL NUMBERS



S-1 SWITCH WIRING DETAIL



LEVER SWITCH WIRING DETAIL

AMERICAN DELUXE STRATOCASTER® 0101200/1202, RW/MN

BODY, PICKGUARD, PICKUP, BACKPLATE & KNOB COMBINATION CHART

BODY		PICKGUARD		PICKUP			BACKPLATE		VOLUME		TONE	SEL SW		
Part #	Color	Part #	Color	Part #	REF.#	Color	Part #	Color	Knob	Cap	Knob	Knob		
0059203500	3-Color Sunburst	0040837000	Mint Green	0062971030	10	Aged White	0054029000	Mint Green	059267-030	059266-030	056144	053765		
				0062972030	11	Aged White							Aged White	Aged White
				0062973030	12	Aged White							Aged White	Aged White
0059203520	Amber	0040833000	Brown Shell	0062971030	10	Aged White	0049683000	Brown Shell	059267-030	059266-030	056144	053765		
				0062972030	11	Aged White							Aged White	Aged White
				0062973030	12	Aged White							Aged White	Aged White
0058345582	Candy Tangerine	0040830000	Aged White Pearl	0062971030	10	Aged White	0038964000	Aged White Pearl	059267-030	059266-030	056144	053765		
				0062972030	11	Aged White							Aged White	Aged White
				0062973030	12	Aged White							Aged White	Aged White
0058345564	Montego Black	0063539000	Gold Metallic	0062971020	10	Black	0063543000	Gold Metallic	059267-020	059266-020	056146	013267		
				0062972020	11	Black							Black	Black
				0062973020	12	Black							Black	Black
0058345591	Chrome Silver	0040835000	Black Pearl	0062971020	10	Black	0058044000	Black Pearl	059267-020	059266-020	056146	013267		
				0062972020	11	Black							Black	Black
				0062973020	12	Black							Black	Black

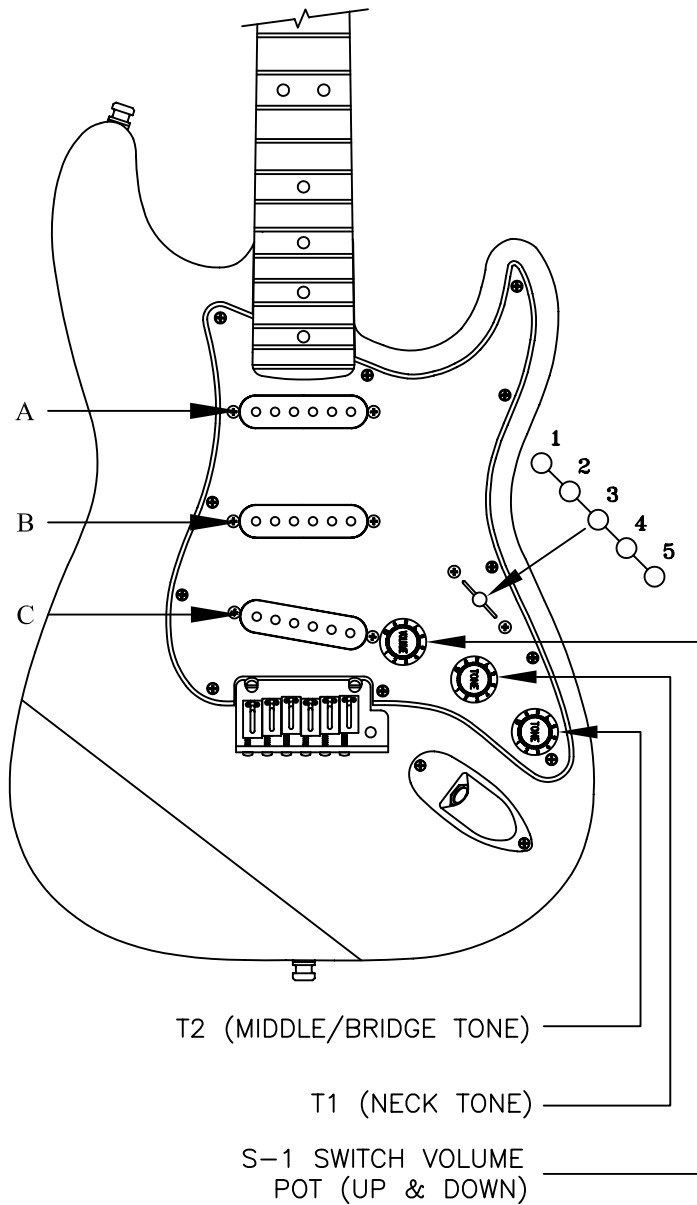
REF.#	P/N	DESCRIPTION	REF.#	P/N	DESCRIPTION
1	0054016000	Neck, American Dlx Stratocaster®, RW	16	0028957000	Pivot Screw
	0054017000	Neck, American Dlx Stratocaster®, MW		0028958000	Insert
2	0036447000	Tuning Key, (1,2,3) Ultra Pol Chr	17	See Chart	Knob & Switch Cap, Volume
	0058815000	Washer Schalr	18	See Chart	Knob, Tone
	0058820000	Bushing Schalr	19	See Chart	Knob, Selector Switch
3	0036448000	Tuning Key, (4,5,6) Ultra Pol Chr	20	0050610000	Switch, 5-Position, 4 Pole
	0058815000	Washer Schalr		0021417000	Mounting Screw
	0058820000	Bushing Schalr	21	0024832000	Capacitor, .022uF
4	0083675000	Bone Nut	22	0012869000	Solder Lug
5	0023811000	Truss Rod Adjusting Wrench		0015116000	Mounting Screw
6	See Chart	Body Stratocaster®	23	0021956000	Output Jack
7	0059209000	Neck Mounting Plate		0016436000	Lock Washer
	0021424000	Mounting Screw		0016352000	Mounting Hex Nut
	0031571000	Tilt Adjustment Screw	24	0010280090	Jack Ferrule
	0023811000	Tilt Adjusting Wrench		0021407000	Mounting Screw
8	0021453000	Strap Button	25	0036449000	Bridge Assembly
	0021422000	Mounting Screw		0036534000	Tremolo Arm
	0019056000	Felt Washer, Black		0010272100	Tremolo Claw
	0020491000	Felt Washer, White		0018671000	Tremolo Spring
9	See Chart	Pickguard		0015636000	Mounting Screw
	0021407000	Mounting Screw		0036527000	Bridge Plate
10	See Chart	Pickup, Neck		0036528000	Bridge Section, (6)
	0063396000	Mounting Screw		0017031000	Intonation Screw, (6)
	0063398000	Mounting Tube		0019395000	Intonation Spring, (5&6)
11	See Chart	Pickup, Middle		0019394000	Intonation Spring, (1-4)
	0063396000	Mounting Screw		0026779000	Height Adjustment Screw, (1&6)
	0063398000	Mounting Tube		0026780000	Height Adjustment Screw, (2-5)
12	See Chart	Pickup, Bridge		0036530000	Bridge Block
	0063396000	Mounting Screw		0036615000	Set Screw
	0063398000	Mounting Tube	26	0021537000	String Retainer
13	0061256000	S-1 Sw/Pot Assy 250K, Volume		0021405000	Mounting Screw
	0015552000	Capacitor, .05uF	27	See Chart	Back Plate AM Series Stratocaster®
	0016352000	Mounting Nut		0021407000	Mounting Screw
	0022384000	Lock Washer			
14	0013446000	Control 250K			
	0016352000	Mounting Nut			
	0022384000	Lock Washer			
15	0050666000	Control 250K. No Load			
	0016352000	Mounting Nut			
	0022384000	Lock Washer			



 Pg. 3 of 4
 5-6-2004 Rev. A

AMERICAN DELUXE STRATOCASTER® 0101200/1202, RW/MN

SWITCH & CONTROL FUNCTION



MV = MASTER VOLUME
 T1 = NECK TONE
 T2 = MID/BRIDGE TONE
 + = SERIES CONNECTION
 / = PARALLEL CONNECTION
 SC = SPECIALS CAPACITOR

5 WAY SW POSITIONS, S-1 SWITCH UP					
1	2	3	4	5	POSITION
					CONTROL
MV T1	MV T1+T2	MV T2	MV T2	MV T2	← NECK (A)
					← MIDDLE (B)
					← BRIDGE (C)
	A/B		B/C		CONNECTION

5 WAY SW POSITIONS, S-1 SWITCH DOWN					
1	2	3	4	5	POSITION
					CONTROL
MV T1	MV T1+T2	MV T2	MV T2	MV T2	← NECK (A)
					← MIDDLE (B)
					← BRIDGE (C)
A+B	(A/SC) + B	(A/C) + B	B + (C/SC)	B+C	CONNECTION

	PICKUP IS ON
	PICKUP IS OFF
<i>A</i>	PICKUP (NECK)
<i>B</i>	PICKUP (MIDDLE)
<i>C</i>	PICKUP (BRIDGE)