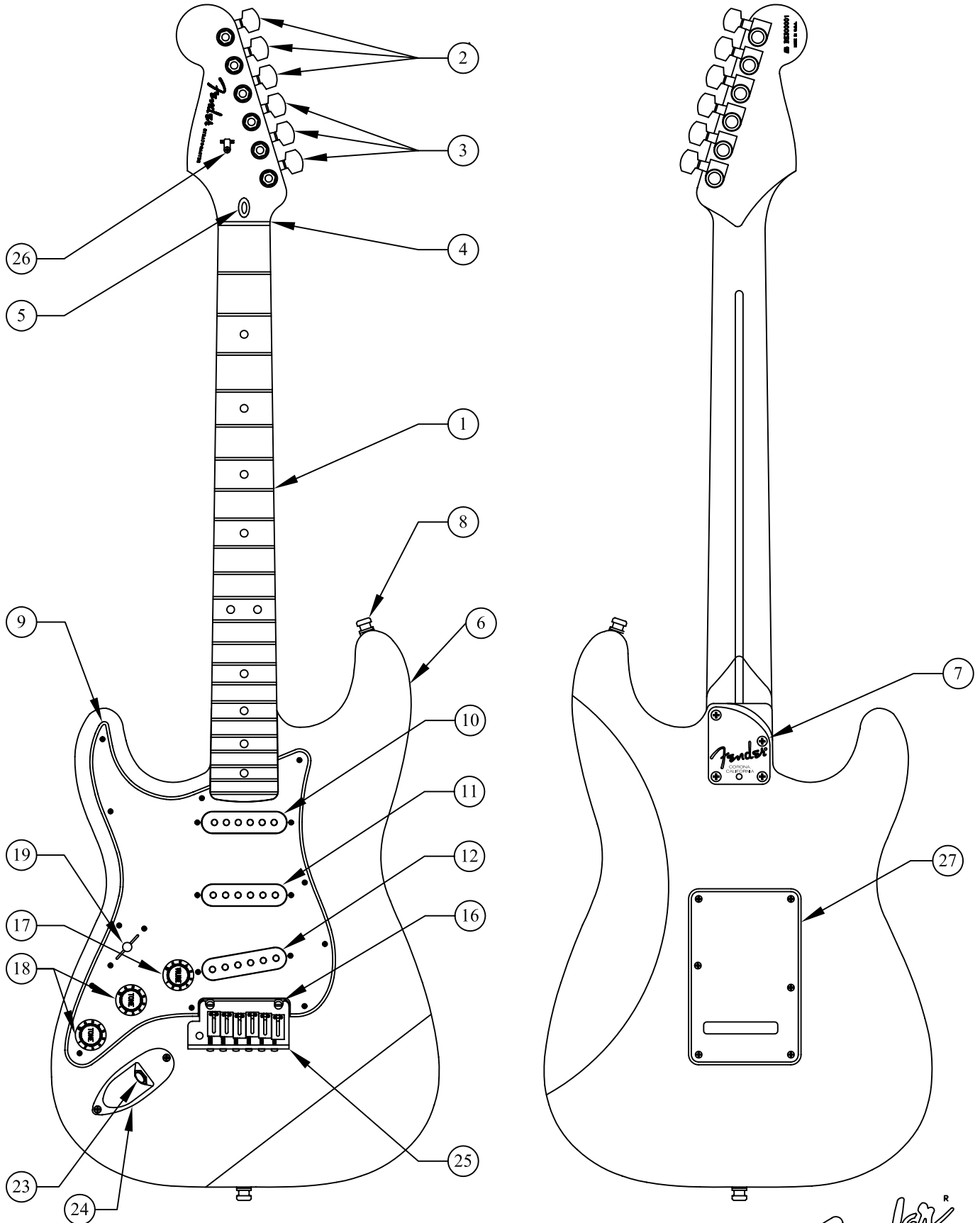
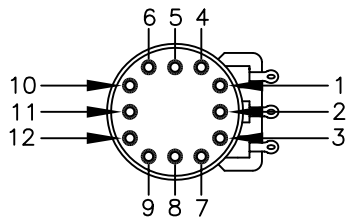
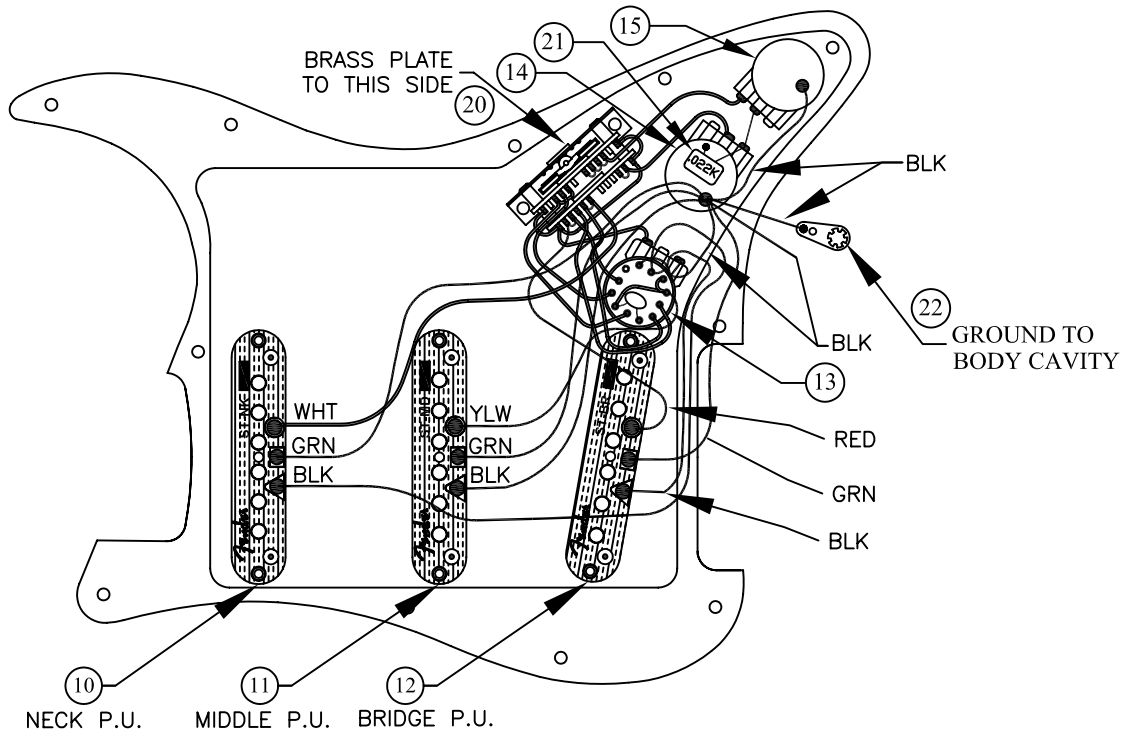


AMERICAN DELUXE STRATOCASTER® 0101420/1422, ASH, RW/MN, LH

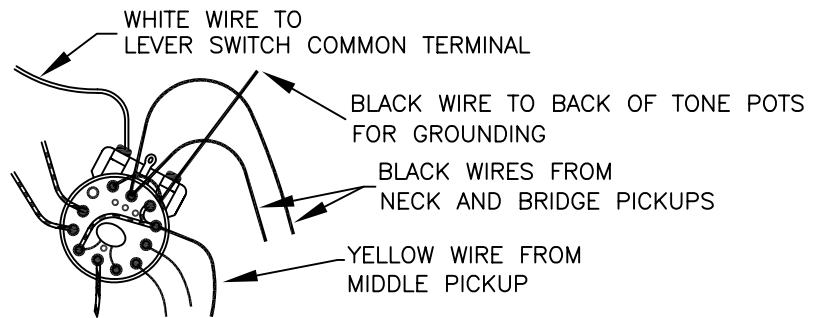


AMERICAN DELUXE STRATOCASTER® 0101420/1422, ASH, RW/MN, LH

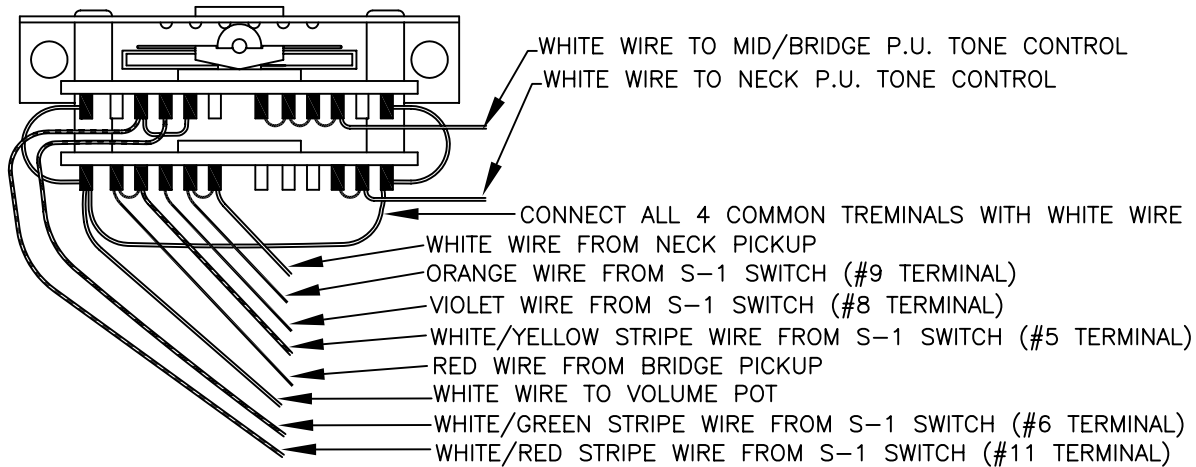
WIRING DIAGRAM



S-1 SWITCH TERMINAL NUMBERS



S-1 SWITCH WIRING DETAIL



LEVER SWITCH WIRING DETAIL



AMERICAN DELUXE STRATOCASTER® 0101420/1422, ASH, RW/MN, LH

BODY, PICKGUARD, PICKUP, BACKPLATE & KNOB COMBINATION CHART

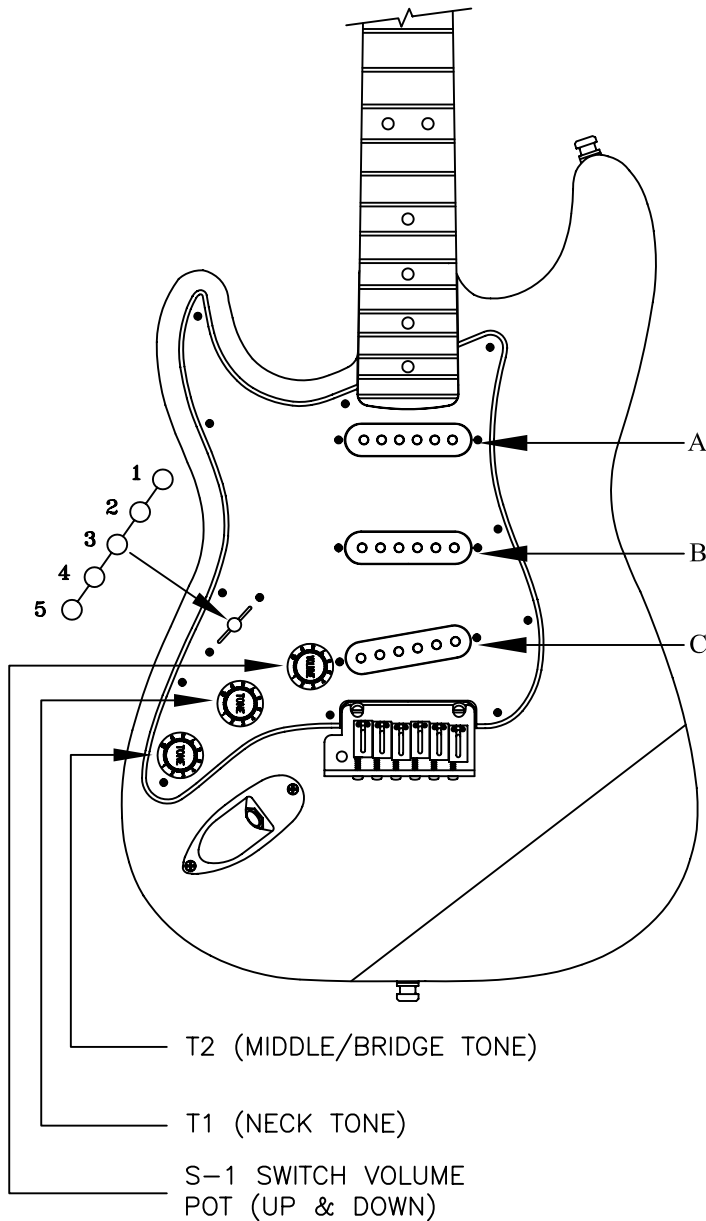
BODY		PICKGUARD		PICKUP			BACKPLATE		VOLUME		TONE	SEL SW
P/N	Color	P/N	Color	P/N	REF.#	Color	P/N	Color	Knob	Cap	Knob	Knob
0059207531	Aged Cherry Sunburst	0063973000	Aged White Pearl	0063963030	10	Aged White	0063976000	Aged White Pearl	0059267030 Aged White	0059266030 Aged White	0056144000 Aged White	0053765000 Aged White
	0063964030		11	Aged White								
	0063965030		12	Aged White								
0059207550	Butter- scotch Blonde	0063970000	Blk/Blk/Blk	0063963020	10	Black	0063975000	Blk/ Blk/ Blk	0059267020 Black	0059266020 Black	0056146000 Black	0013267000 Black
	0063964020			11	Black							
	0063965020			12	Black							
0059207552	Tobacco Sunburst	0055320000	MG/ Blk/ MG	0063963030	10	Aged White	0055322000	Mint Green	0059267030 Aged White	0059266030 Aged White	0056144000 Aged White	0053765000 Aged White
				0063964030	11	Aged White						
				0063965030	12	Aged White						

REF.#	P/N	DESCRIPTION	REF.#	P/N	DESCRIPTION
1	0055304000	Neck, Am Dlx Stratocaster®, RW, LH	16	0028957000	Pivot Screw
	0055305000	Neck, Am Dlx Stratocaster®, MW, LH		0028958000	Insert
2	0055306000	Tuning Key, (1,2,3) Ultra Pol Chr	17	See Chart	Knob & Switch Cap, Volume
	0058815000	Washer Schalr	18	See Chart	Knob, Tone
	0058820000	Bushing Schalr	19	See Chart	Knob, Selector Switch
3	0055307000	Tuning Key, (4,5,6) Ultra Pol Chr	20	0050610000	Switch, 5-Position 4 Pole
	0058815000	Washer Schalr		0021417000	Mounting Screw
	0058820000	Bushing Schalr	21	0024832000	Capacitor, .022uF
4	0083675000	Bone Nut	22	0012869000	Solder Lug
5	0023811000	Truss Rod Adjusting Wrench		0015116000	Mounting Screw
6	See Chart	Body Stratocaster®	23	0021956000	Output Jack
7	0059210000	Neck Mounting Plate		0016436000	Lock Washer
	0021424000	Mounting Screw		0016352000	Mounting Hex Nut
	0031571000	Tilt Adjustment Screw	24	0010280090	Jack Ferrule
	0023811000	Tilt Adjusting Wrench		0021407000	Mounting Screw
8	0021453000	Strap Button	25	0055318000	Bridge Assembly
	0021422000	Mounting Screw		0055319000	Tremolo Arm
	0019056000	Felt Washer, Black		0010272100	Tremolo Claw
	0020491000	Felt Washer, White		0018671000	Tremolo Spring
9	See Chart	Pickguard		0015636000	Mounting Screw
	0021407000	Mounting Screw		0055317000	Bridge Plate
10	See Chart	Pickup, Neck		0055316000	Bridge Section, (6)
	0063396000	Mounting Screw		0017031000	Intonation Screw, (6)
	0063398000	Mounting Spring		0019395000	Intonation Spring, (5&6)
11	See Chart	Pickup, Middle		0019394000	Intonation Spring, (1-4)
	0063396000	Mounting Screw		0026779000	Height Adjustment Screw, (1&6)
	0063398000	Mounting Spring		0026780000	Height Adjustment Screw, (2-5)
12	See Chart	Pickup, Bridge		0055315000	Bridge Block
	0063396000	Mounting Screw		0036615000	Set Screw
	0063398000	Mounting Spring	26	0021537000	String Retainer
13	0063894000	S-1 Sw/Pot 250K, Volume		0021405000	Mounting Screw
	0016352000	Mounting Nut	27	See Chart	Back Plate AM Series Stratocaster®
	0022384000	Lock Washer		0021407000	Mounting Screw
14	0063892000	Control 250K			
	0016352000	Mounting Nut			
	0022384000	Lock Washer			
15	0063892000	Control 250K			
	0016352000	Mounting Nut			
	0022384000	Lock Washer			



AMERICAN DELUXE STRATOCASTER® 0101420/1422, ASH, RW/MN, LH

SWITCH & CONTROL FUNCTION



MV = MASTER VOLUME
 T1 = NECK TONE
 T2 = MID/BRIDGE TONE
 + = SERIES CONNECTION
 = PARALLEL CONNECTION
 SC = SPECIALS CAPACITOR

5 WAY SW POSITIONS, S-1 SWITCH UP					
POSITION	CONTROL	NECK (A)	MIDDLE (B)	BRIDGE (C)	CONNECTION
	MV T1				
	MV T1+T2				A/B
	MV T2				B/C
	MV T2				
	MV T2				

5 WAY SW POSITIONS, S-1 SWITCH DOWN					
POSITION	CONTROL	NECK (A)	MIDDLE (B)	BRIDGE (C)	CONNECTION
	MV T1				A+B
	MV T1+T2				(A/SC) + B
	MV T2				(A/C) + B
	MV T2				B + (C/SC)
	MV T2				B+C

	PICKUP IS ON
	PICKUP IS OFF
<i>A</i>	PICKUP (NECK)
<i>B</i>	PICKUP (MIDDLE)
<i>C</i>	PICKUP (BRIDGE)