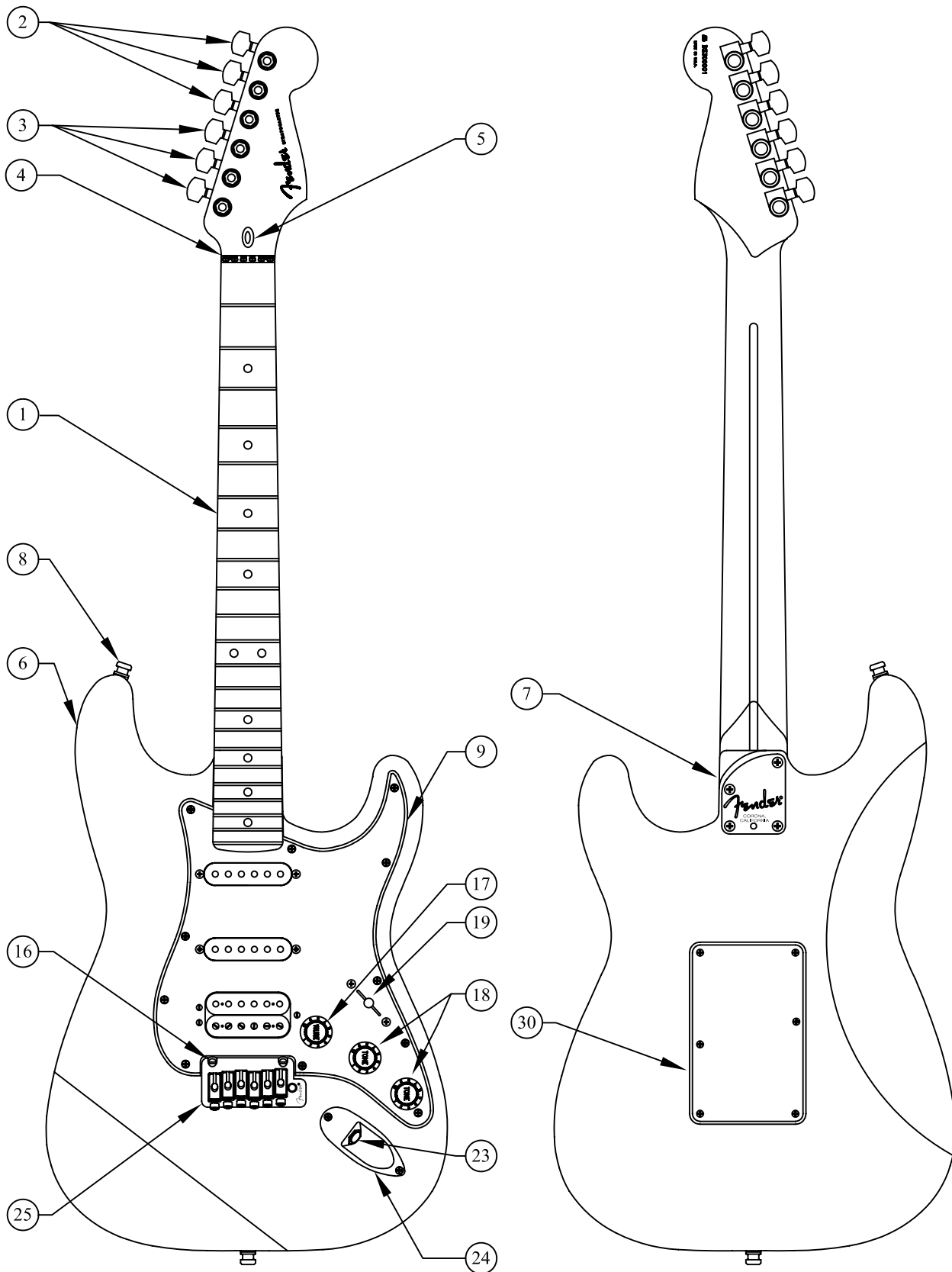
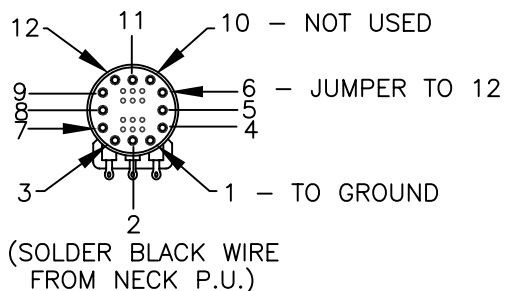
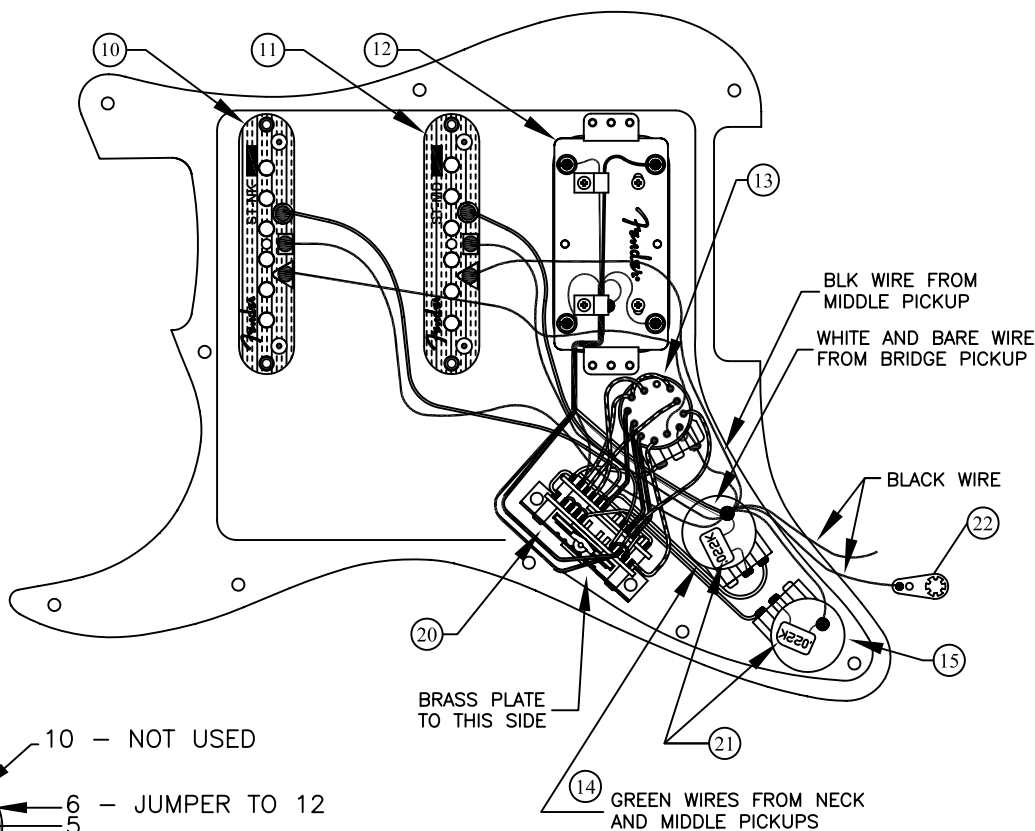


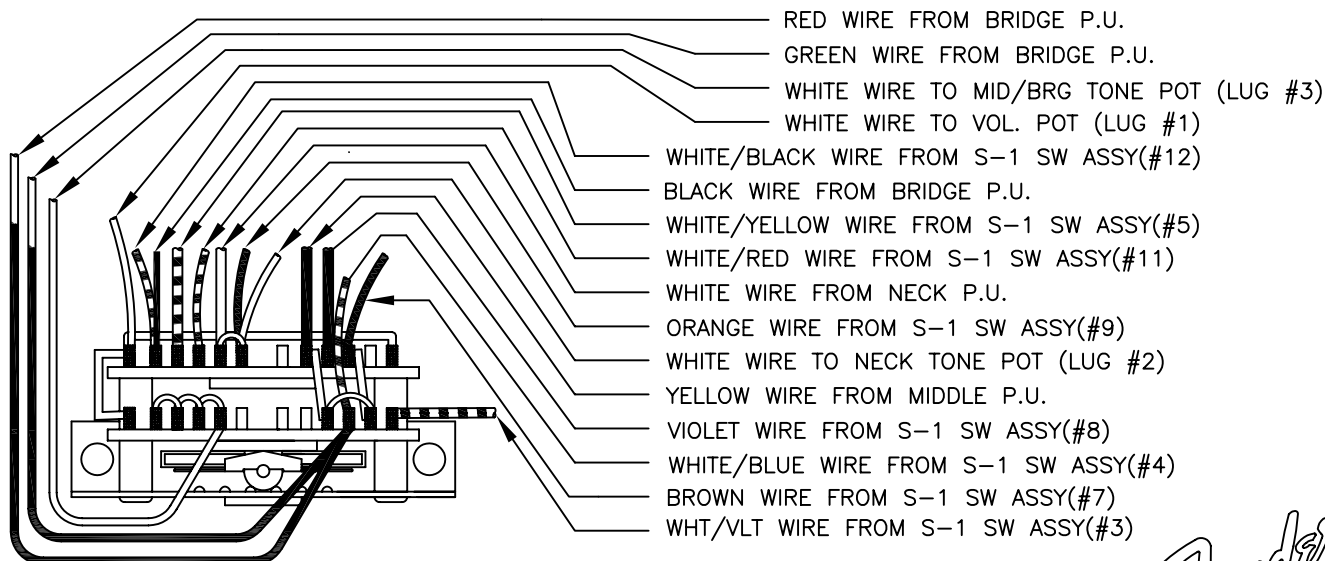
AM SERIES DLX STRATOCASTER® 0101590/1592, HSS, LOCKING TREMOLO™



WIRING DIAGRAM



S-1 SWITCH WIRING DETAIL



LEVER SWITCH WIRING DETAIL

AM SERIES DLX STRATOCASTER® 0101590/1592, HSS, LOCKING TREMOLO™

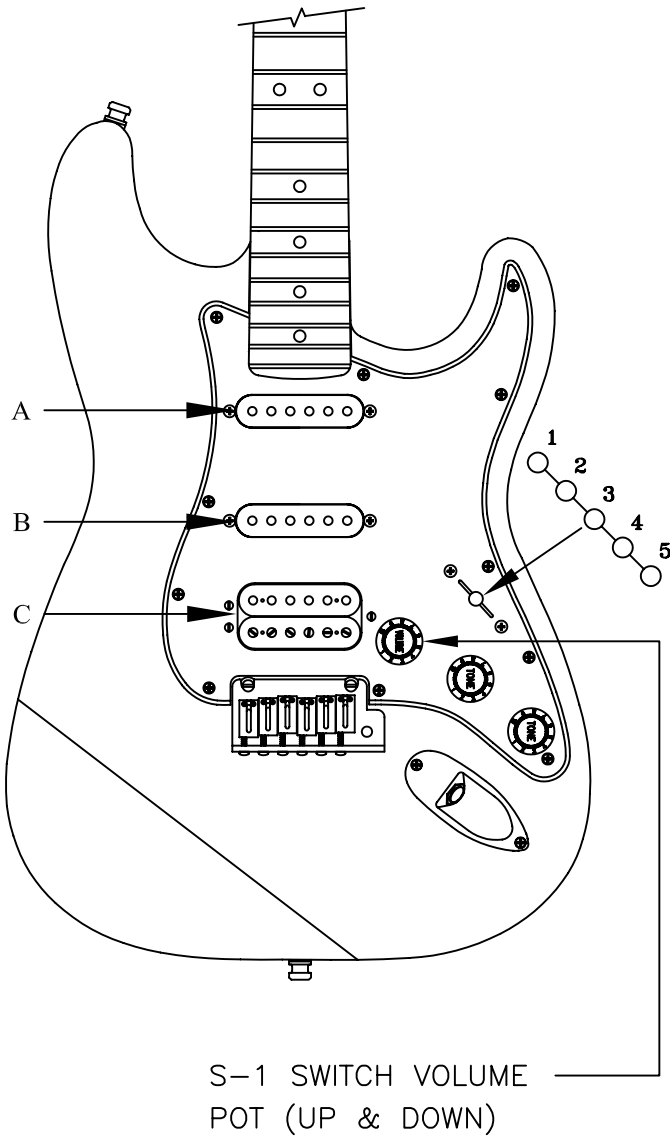
BODY, PICKGUARD, PICKUP & BACKPLATE COMBINATION CHART

BODY		PICKGUARD		PICKUP			BACKPLATE		VOLUME		TONE	SEL SW
P/N	Color	P/N	Color	P/N	REF.#	Color	P/N	Color	Knob	Cap	Knob	Knob
0059203500	3-Color Sunburst	0054021000	Mint Green	0064019030	10	Aged White	0054030000	Mint Green	0059267030	0059266030	0056144000	0053765000
				0064020030	11	Aged White						
				0054036000	12	Aged White						
0059203520	Amber	0054022000	Brown Shell	0064019030	10	Aged White	0054031000	Brown Shell	0059267030	0059266030	0056144000	0053765000
				0064020030	11	Aged White						
				0054036000	12	Aged White						
0058345564	Montego Black	0064010000	Gold Mtlc	0064019020	10	Black	0068043000	Gold Metallic	0059267020	0059266020	0056146000	0013267000
				0064020020	11	Black						
				0063265000	12	Black						
0058345582	Candy Tangerine	0064008000	Aged White Pearl	0064019030	10	Aged White	0050086000	Aged White Pearl	0059267030	0059266030	0056144000	0053765000
				0064020030	11	Aged White						
				0054036000	12	Aged White						
0058345591	Chrome Silver	0064009000	Black Pearl	0064019020	10	Black	0068042000	Black Pearl	0059267020	0059266020	0056146000	0013267000
				0064020020	11	Black						
				0063265000	12	Black						

REF.#	P/N	DESCRIPTION	REF.#	P/N	DESCRIPTION
1	0054018000	Neck, American Stratocaster®, RW	15	0013446000	Control 250K
	0054019000	Neck, American Stratocaster®, MW		0016352000	Mounting Nut
2	0036447000	Tuning Key, (1,2,3) Ultra Pol Chr		0016436000	Lock Washer
	0058815000	Washer Schalr	16	0028957000	Pivot Screw
	0058820000	Bushing Schalr		0028958000	Insert
3	0036448000	Tuning Key, (4,5,6) Ultra Pol Chr	17	See Chart	Knob & Switch Cap, Volume
	0058815000	Washer Schalr	18	See Chart	Knob, Tone
	0058820000	Bushing Schalr	19	See Chart	Knob, Selector Switch
4	0041615000	L.S.R. Nut	20	0050610000	Switch, 5-Position, 4 Pole
	0041612000	Shim, L.S.R. .010		0021417000	Mounting Screw
	0041613000	Shim, L.S.R. .005	21	0024832000	Capacitor, .022uF
	0041611000	Mounting Screw	22	0012869000	Solder Lug
5	0023811000	Truss Rod Adjusting Wrench		0015116000	Mounting Screw
6	See Chart	Body Stratocaster®	23	0021956000	Output Jack
7	0059209000	Neck Mounting Plate		0016436000	Lock Washer
	0021424000	Mounting Screw		0016352000	Mounting Hex Nut
	0031571000	Tilt Adjustment Screw	24	0010280090	Jack Ferrule
	0023811000	Tilt Adjusting Wrench		0021407000	Mounting Screw
8	0021453000	Strap Button	25	0040866000	Bridge Assembly
	0021422000	Mounting Screw		0041603000	Tremolo Arm
	0019056000	Felt Washer, Black		0010272100	Tremolo Claw
	0020491000	Felt Washer, White		0018671000	Tremolo Spring
9	See Chart	Pickguard		0015636000	Mounting Screw
	0021407000	Mounting Screw		0040867000	Bridge Plate
10	See Chart	Pickup, Neck		0040871000	Bridge Section, Tall
	0063396000	Mounting Screw		0040870000	Bridge Section, Mid
	0063398000	Mounting Tube		0040869000	Bridge Section, Short
11	See Chart	Pickup, Middle		0040868000	Bridge Block
	0063396000	Mounting Screw		0036615000	Set Screw
	0063398000	Mounting Tube	30	See Chart	Back Plate AM Series Stratocaster®
12	See Chart	Pickup, Bridge		0021407000	Mounting Screw
	0050167000	Spring			
	0050166000	Screw			
13	0061256000	Switch Pot Assembly 250K, Volume			
	0016352000	Mounting Nut			
	0016436000	Lock Washer			
14	0013446000	Control 250K			
	0016352000	Mounting Nut			
	0016436000	Lock Washer			



SWITCH & CONTROL FUNCTION



5 WAY SW POSITIONS, S-1 SWITCH UP					
POSITION	CONTROL	NECK (A)	MIDDLE (B)	BRIDGE (C)	CONNECTION
	MV T1				A/B
	MV T1+T2				B/C
	MV T2				
	MV T2				
	MV T2				

5 WAY SW POSITIONS, S-1 SWITCH DOWN					
POSITION	CONTROL	NECK (A)	MIDDLE (B)	BRIDGE (C)	CONNECTION
	MV T1				A+B
	MV T1+T2				(A+C)/B
	MV T1+T2				(A+B)/C
	MV T2				B/C
	MV T2				

MV = MASTER VOLUME
 T1 = NECK TONE
 T2 = MID/BRIDGE TONE
 + = SERIES CONNECTION
 / = PARALLEL CONNECTION
 () = INDICATES PAIRED COILS

	PICKUP IS ON
	PICKUP IS OFF
<i>A</i>	PICKUP (NECK)
<i>B</i>	PICKUP (MIDDLE)
<i>C</i>	PICKUP (BRIDGE)