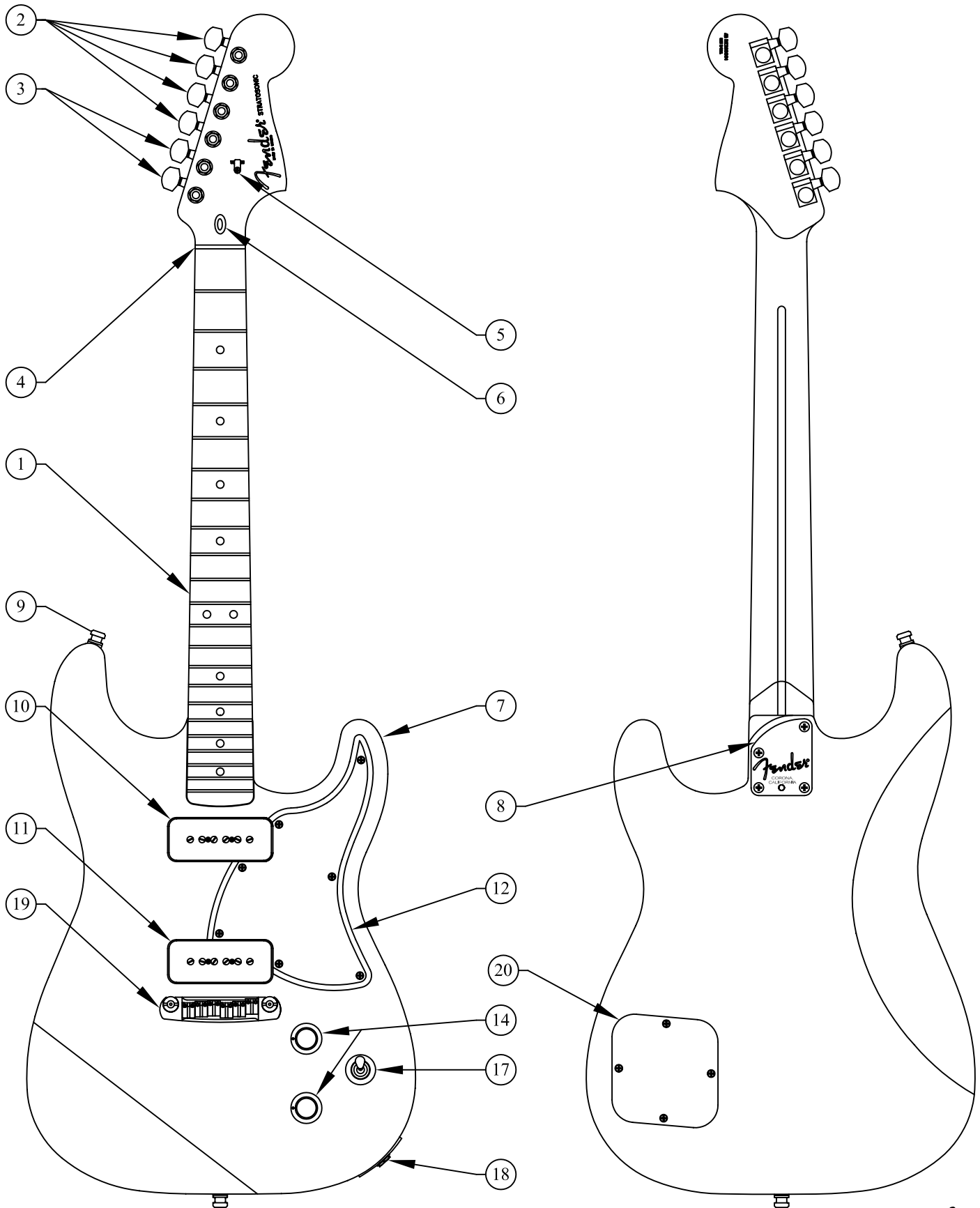
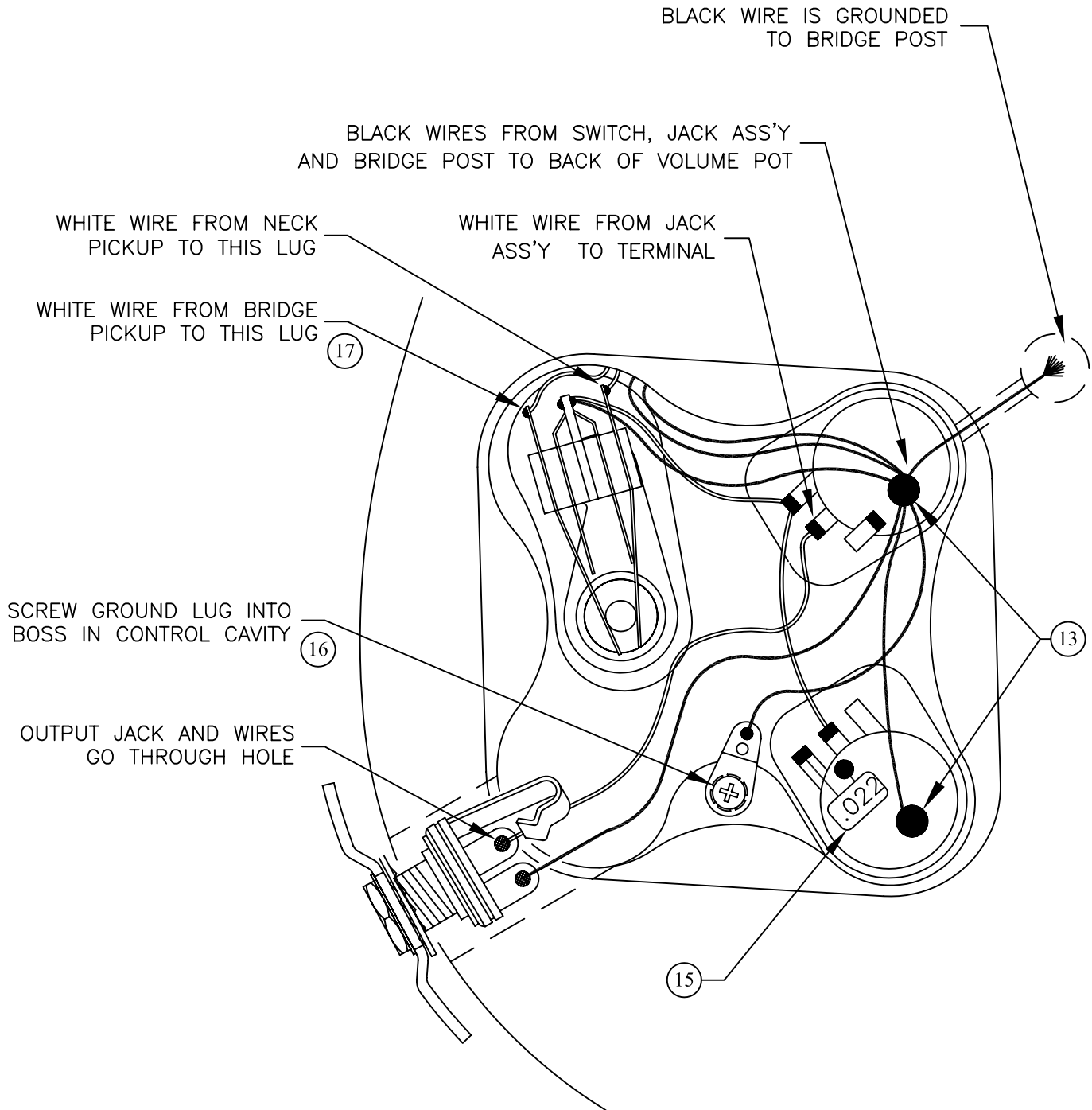


STRAT-O-SONIC™ DV II, 0114700



WIRING DIAGRAM



# STRAT-O-SONIC™ DV II, 0114700

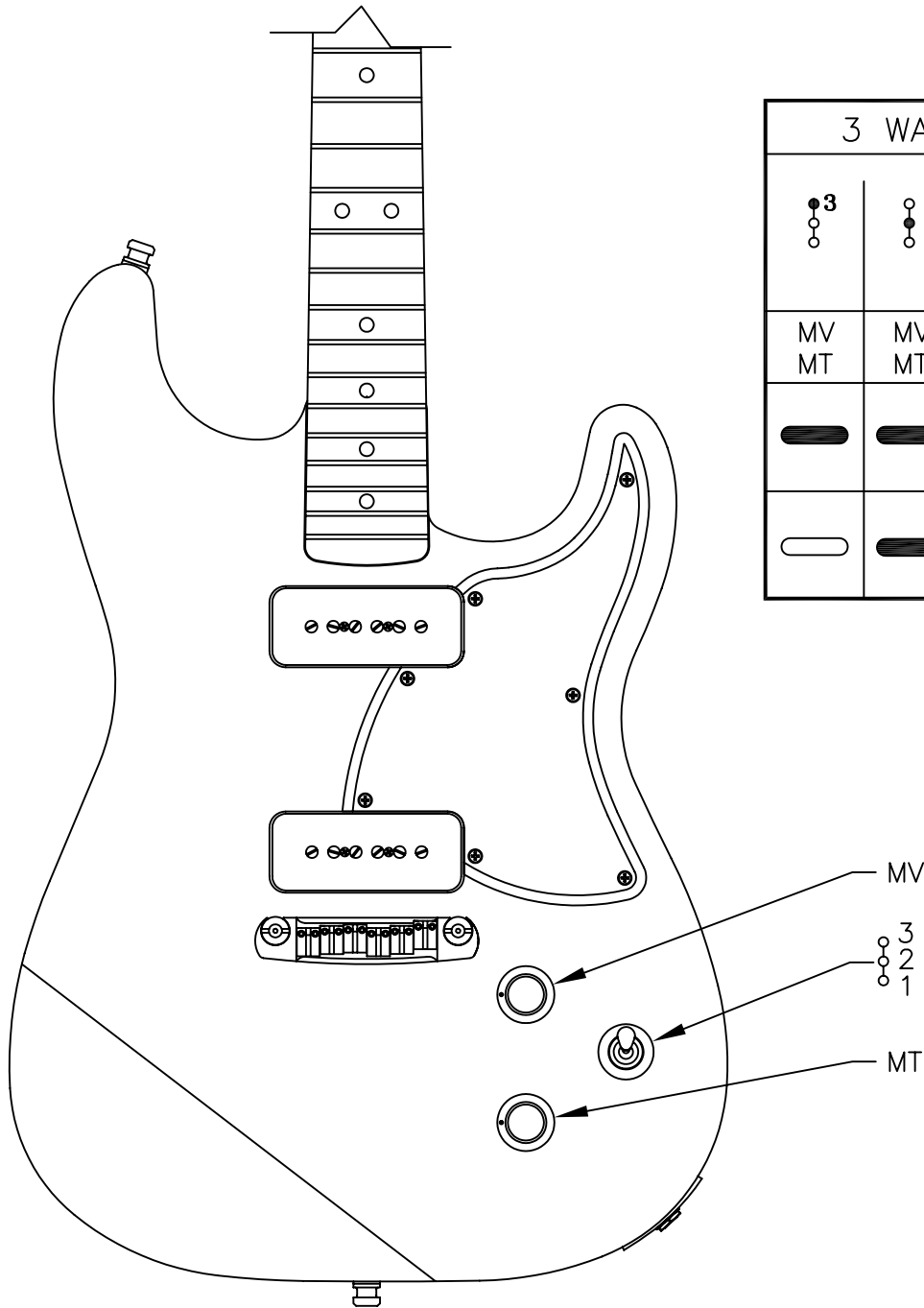
REF.#	P/N	DESCRIPTION
1	0060740000	Neck, Start-O-Sonic, R/W
2	0056260000	Tuning Key, Schaller Std RH, E,B,G,D,
	0058815000	Washer Schaller Key Chrome
	0058820000	Bushing Schaller Key Chrome
3	0021374000	Tuning Key, GTR XGS-1C Std Schl
	0058815000	Washer Schaller Key Chrome
	0058820000	Bushing Schaller Key Chrome
4	0083675000	Bone Nut
5	0021537000	String Retainer
	0021405000	Mounting Screw
6	0023811000	Truss Rod Adjusting Wrench
7	See Chart	Body, Strat-O-Sonic II
8	0059209000	Neck Mounting Plate
	0021424000	Mounting Screw
	0031571000	Tilt Adjustment Screw
	0023811000	Tilt Adjusting Wrench
9	0021453000	Strap Button
	0021422000	Mounting Screw
	0019056000	Felt Washer, Black
10	0059201000	Pickup Ass'y, Neck, Black Dove
	0059185000	Mounting Screw
	0064291000	Black Ester Foam
11	0059202000	Pickup Ass'y, Bridge, Black Dove
	0059185000	Mounting Screw
	0064291000	Black Ester Foam
12	0060741000	Pickguard
	0021407000	Mounting Screw
13	0038950000	Control, 500K, Audio (2)
	0016352000	Mounting Hex Nut
	0022384000	Washer, Lock Intl.
	0031153000	Flat Washer
	0059213000	O- Ring, #7
14	0059189000	Knob, Smoke (2)
15	0024832000	Capacitor, .022uf
16	0012869000	Solder Lug
	0015116000	Mounting Screw
17	0054063000	Switch Toggle, 3 - Position
	0059186000	Trim Dics
18	0021956000	Output Jack
	0016352000	Mounting Hex Nut
	0016436000	Lock Washer, Intl
	0031153000	Flat Washer
	0050100000	Jack Ferrule
	0021407000	Mounting Screw
19	0060736000	Bridge Assembly
20	0053801000	Cover, Back Control Ass'y
	0021407000	Mounting Screw






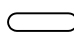
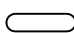


## BODY CHART

P/N	Color
0060738532	Brown Sunburst
0060738538	Crimson Transparent
0060738550	Butterscotch Blonde

# STRAT-O-SONIC™ DV II, 0114700


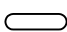
## SWITCH & CONTROL FUNCTION



3 WAY SWITCH POSITION			
			POSITION
MV MT	MV MT	MV MT	CONTROL
			← NECK PICKUP (A)
			← BRIDGE PICKUP (B)

MV = MASTER VOLUME CONTROL  
 MT = MASTER TONE CONTROL

 INDICATES POSITION  
 OF 3 WAY SWITCH

	PICKUP IS ON
	PICKUP IS OFF
<i>A</i>	PICKUP (NECK)
<i>B</i>	PICKUP (MIDDLE)

