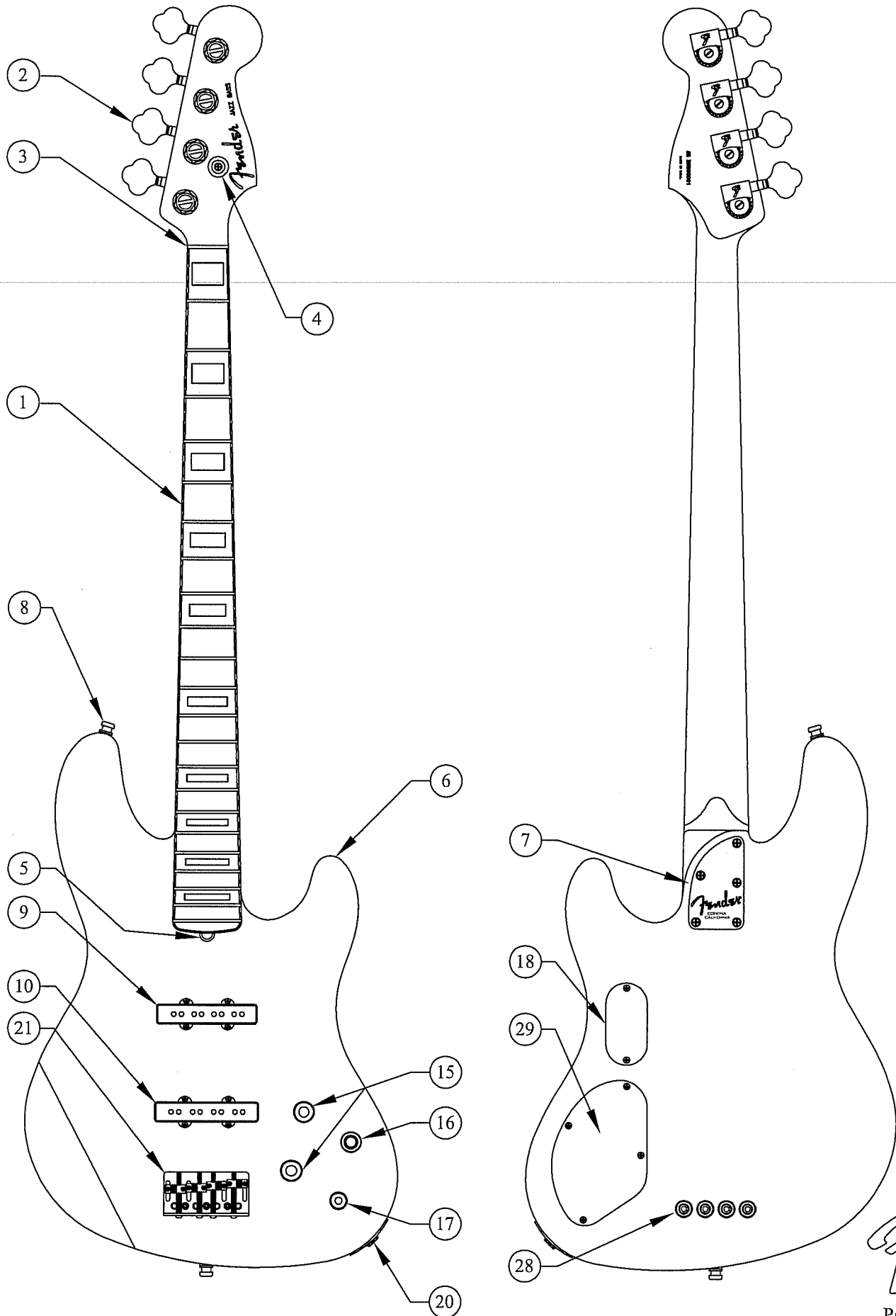


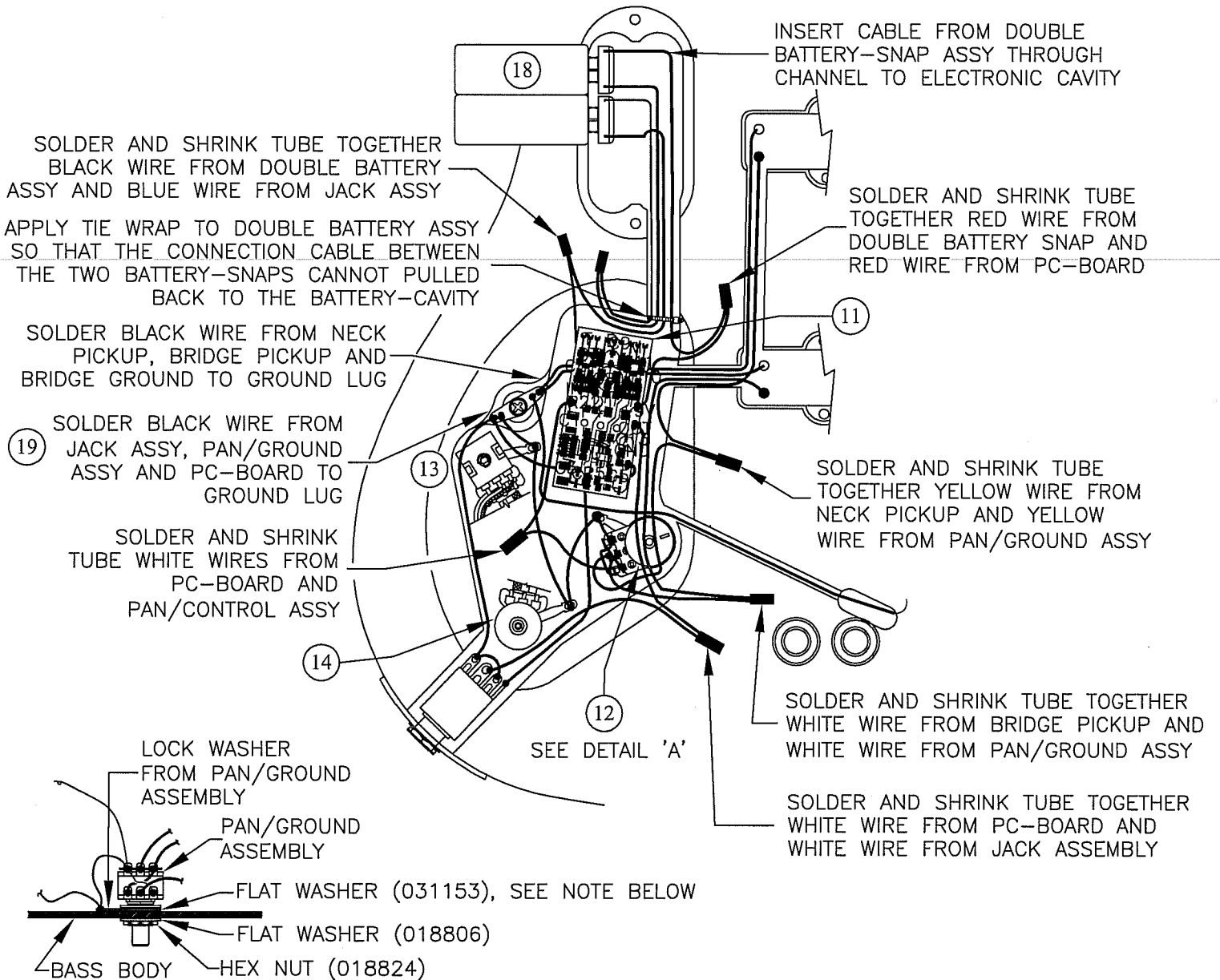
AMERICAN DELUXE JAZZ BASS[®], FMT RW/MN, 0194470/4472



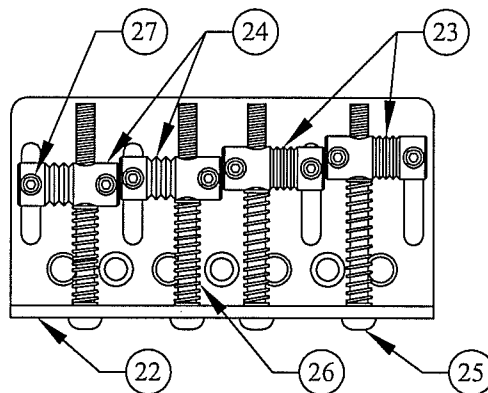
Fender[®]

AMERICAN DELUXE JAZZ BASS[®], FMT RW/MN, 0194470/4472

CONTROL ASSEMBLY



DETAIL 'A'
PAN CONTROL MOUNTING



BRIDGE ASSEMBLY

NOTE:
FLAT WASHER (031153) MUST BE INSTALLED AGAINST PAN POT TO AVOID FAILURE OF POT



AMERICAN DELUXE JAZZ BASS[®], FMT RW/MN, 0194470/4472

REF.#	P/N	DESCRIPTION	REF.#	P/N	DESCRIPTION
1	0058213000	Neck, Am Dlx, Jazz Bass FMT R/W	15	0036811000	Knob, Diamond Knurl Gold
	0058287000	Neck, Am Dlx, Jazz Bass FMT M/N		0028897000	Screw Set
2	0063548000	Tuning Key (1) Set	16	0058337000	Knob, Knurled Lower Gold
3	0083675000	Bone Nut		0058336000	Knob, Knurled Upper Gold
4	0021958000	String Retainer		0028897000	Screw Set
	0018784000	Mounting Screw		0058786000	Screw Set
5	0048693000	Truss Rod Adjusting Wrench	17	0058335000	Knob, Small Knurled Gold
6	See Chart	Body, Jazz Bass Dlx, FMT		0028897000	Screw Set
7	0058339000	Neck Mounting Plate	18	0058410000	Double Battery Cover, Black
	0018785000	Mounting Screw		0030654000	Mounting Screw
8	0021950000	Strap Button		0030688000	Insert - P/U & R/CVR
	0018845000	Mounting Screw		0017405000	Battery 9V
	0019056000	Felt Washer, Black		0058775000	Battery Snap Assy.
	0020491000	Felt Washer, White	19	0012869000	Solder Lug
9	0063474000	Pickup, Jazz Bass SCN Neck		0015116000	Mounting Screw
	0036810000	Mounting Screw	20	0058251000	Jack Output Closed Stereo SPST
	0017333000	Weatherstrip		0016436000	Washer, Lock Intl
10	0063475000	Pickup, Jazz Bass SCN Bridge		0018806000	Washer, Flat
	0036810000	Mounting Screw		0018824000	Nut, Hex
	0017333000	Weatherstrip		0058256000	Jack Ferrule
11	0054137000	Circuit Board	21	0018784000	Mounting Screw
	0056161000	Control, 25KB		0058252000	Bridge Assy, Bass Am. Dlx, Gold
	0018824000	Mounting Hex Nut		0018845000	Mounting Screw
	0016436000	Lock Washer		0021109000	Adjusting Wrench
	0018806000	Flat Washer	22	0058270000	Bridge Plate
12	0056162000	Control Pan Alpha, 250K	23	0058362000	Bridge Section, (1-2)
	0018824000	Mounting Hex Nut	24	0058253000	Bridge Section, (3-4)
	0018806000	Flat Washer	25	0017571000	Intonation Screw, Blk (4)
13	0058338000	Control 100KB. CN DTNT	26	0018872000	Intonation Spring, Blk (4)
	0018824000	Mounting Hex Nut	27	0021093000	Height Adjustment Screw, Blk (8)
	0018806000	Flat Washer	28	0049763000	Ferrule, String AS Bass, Gold
14	0056160000	Control 100KB CNTR DTNT	29	0058206000	Cover, Electronic Bass, Black
	0058793000	Mounting Hex Nut		0018113000	Mounting Screw
	0058792000	Flat Washer			

BODY CHART

BODY (REF# 6)	
P/N	Color
0058241020	Amber
0058241052	Tobacco Sunburst
0058241061	Bing Cherry Transparent



SWITCH & CONTROL FUNCTIONS

